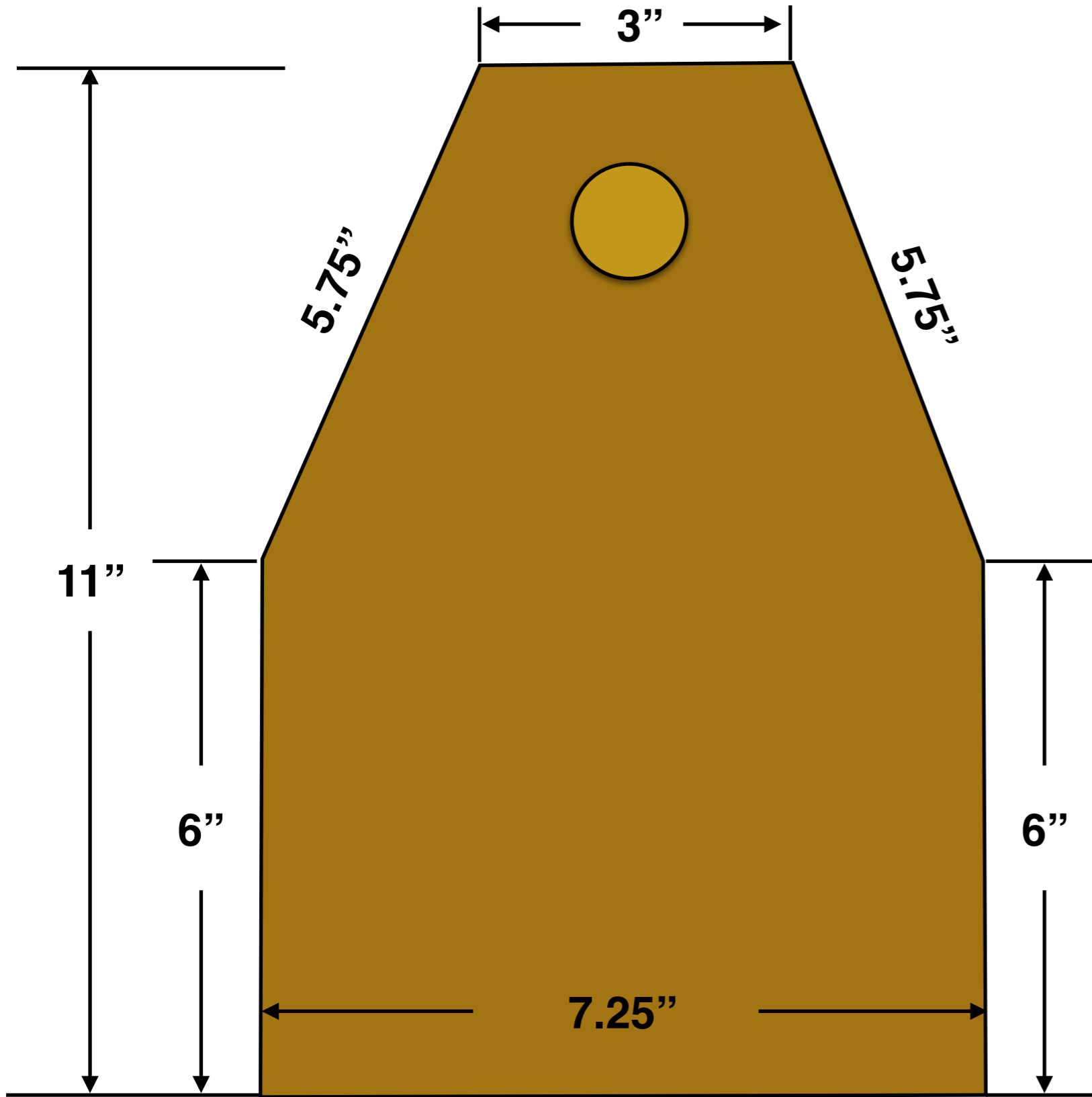


Beer / Soft Drink Caddy Plans



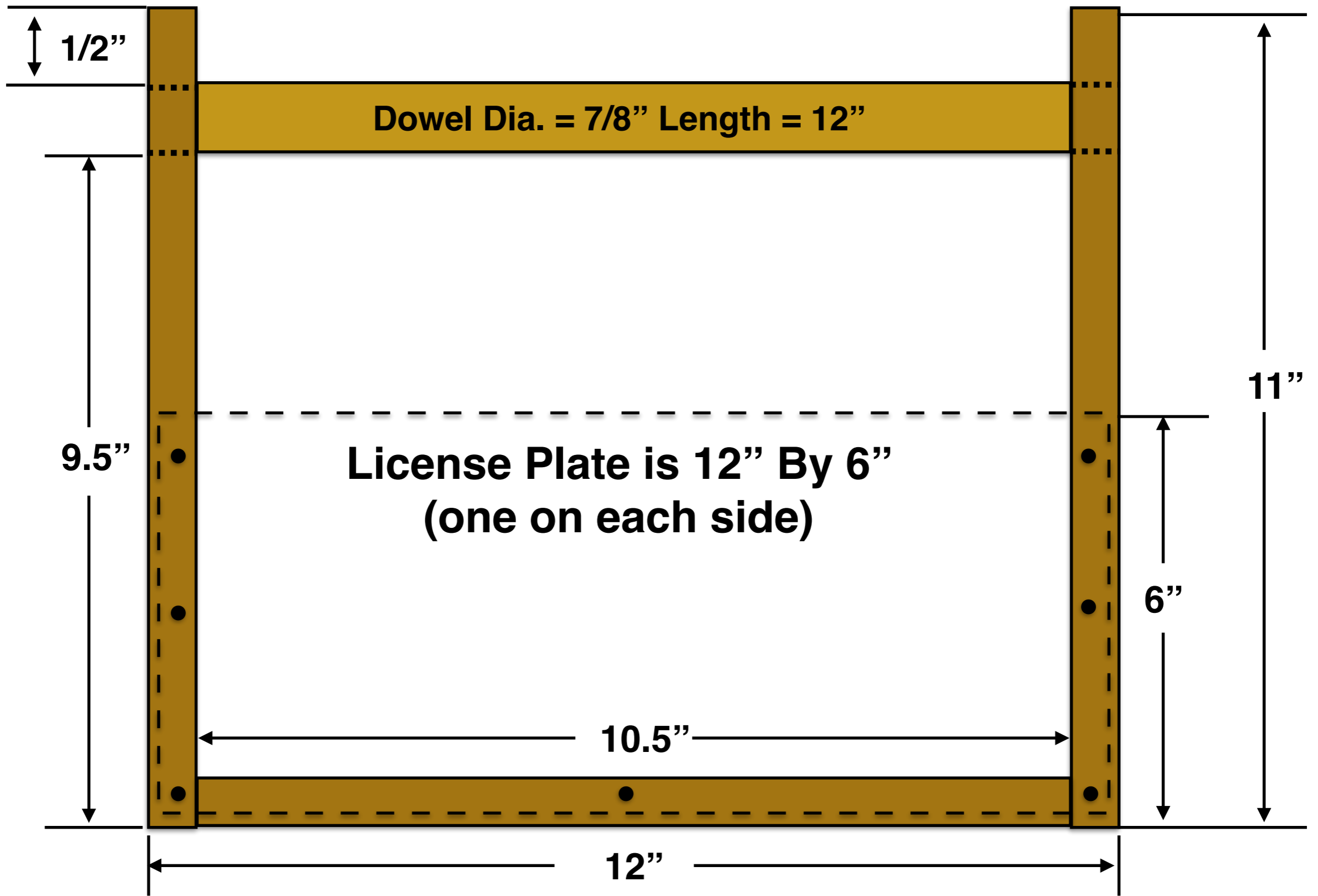
Tools & Materials

- 2 — 2 ft. X 7.25 in. X 3/4 in. Polar (or wood of choice) & 7/8 in diameter wooden dowel
- 2 — 12 inch X 6 inch license plates.
- Tape measure, square & pencil
- Safety gear (glasses, dust mask, hearing protection)
- 16 - #8 5/8 black pan head screws, phillips screw driver
- Forstner bit - 5/8 in.
- Miter Saw (or Hand Saw)
- Jigsaw
- Orbital Sander (220 grit)
- Stain (your choice) or check out my homemade stain
- Spar Urethane
- Styrofoam (1/2 to 5/8 in. wide), glue, and clear silicone sealant (optional)
- Metal bottle opener (optional)



Tip: First, cut out a 11" by 7.25" board. Next, find the center of the top end. Then measure over 1.5" both directions from the center. This will give you the 3 inches. Then just connect the "dots" down to the 6" marks.

Make 2 Identical End Boards



Side View

Construction Notes

- Refer to my website link below for a more detailed tutorial.
- Tutorial link: <https://www.fouroakscrafts.com/beer-caddy-diy/>
- Cut all the boards to dimensions I provide or use your own dimensions.
- With my design, some of the dimensions are constrained by the dimensions of the license plates (12" X 6").
- With the two end boards stacked together, I drilled the 7/8" hole for the dowel. This will ensure dowel alignment later.
- I used a pocket hole jig to attach the bottom board to the two end boards (4 pocket hole screws).
- I cut the dowel, dry fitted and then glued into place.
- Next, I sanded, used a homemade stain, and then sprayed on a spar urethane seal. (see more in the detailed tutorial)
- After the urethane dried, I used 7 screws on each side to attach the license plates.
- Next, I cut the styrofoam, dry fitted, and then glued the styrofoam together. Then I used clear silicone to seal all the inside areas where the styrofoam came together.

Optional Bottle Opener



This makes a great addition to the bottle tote. You can add it or not. Use dark color screws to match the bottle opener.

Styrofoam Option



Adding the styrofoam may limit the inside capacity a little, but you can still easily fit 6 bottles in the space. The styrofoam helps the tote act as a mini cooler.

Optional Paracord Grip



This is a nice addition. I have another tutorial that shows how to do the paracord wrap.



Want to see the detailed tutorial?

Check out the Tutorial Link Below:

[Make a Beer / Soft Drink Caddy](#)

Please Subscribe!